

BeoLab 12

BeoLab 12-1

BANG & OLUFSEN

WARNING: To reduce the risk of fire or electric shock, do not expose this appliance to rain or moisture. Do not expose this equipment to dripping or splashing and ensure that no objects filled with liquids, such as vases, are placed on the equipment.

The product can only be switched off completely by disconnecting it from the mains socket. The mains socket must always be accessible.



The lightning flash with arrowhead symbol within an equilateral triangle, is intended to alert the user to the presence of uninsulated “dangerous voltage” within the product’s enclosure that may be of sufficient magnitude to constitute a risk of electric shock to persons.



The exclamation point within an equilateral triangle is intended to alert the user to the presence of important operating and maintenance (servicing) instructions in the literature accompanying the product.

For the US-market only!

NOTE: This equipment has been tested and found to comply with the limits for a class B digital device, pursuant to part 15 of the FCC Rules. These limits are designed to provide reasonable protection against harmful interference in a residential installation. This equipment generates, uses and can radiate radio frequency energy and, if not installed and used in accordance with the instructions, may cause harmful interference to radio communications. However, there is no guarantee that interference will not occur in a particular installation. If this equipment does cause harmful interference to radio or television reception, which can be determined by turning the equipment off and on, the user is encouraged to try to correct the interference by one or more of the following measures:

- Reorient or relocate the receiving antenna.
- Increase the separation between the equipment and receiver.
- Connect the equipment into an outlet on a circuit different from that to which the receiver is connected.
- Consult the retailer or an experienced radio/TV technician for help.

This device complies with part 15 of the FCC rules. Operation is subject to the following two conditions: (1) This device may not cause harmful interference, and (2) this device must accept any interference received, including interference that may cause undesired operation.

Changes or modifications not expressly approved by the party responsible for compliance could void the user’s authority to operate the equipment.

For the Canadian market only!

This Class B digital apparatus complies with Canadian ICES-003.

Technical specifications, features and the use thereof are subject to change without notice.

When you have finished setting up the loudspeakers as described on the following pages, connect the entire system to the mains supply. When in standby, the indicator light is switched off. The loudspeakers are designed to be left in standby mode when not in use.

Switching on and off – indicator light

When you switch on your Bang & Olufsen system, the loudspeakers switch on simultaneously. The indicator light turns green, indicating that the loudspeakers are switched on. After some time, the indicator light will fade down.

When you switch off your system, the red indicator light appears briefly, indicating that the loudspeakers are not in use.

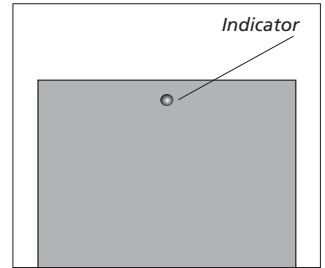
Loudspeaker protection

If an active speaker unit becomes overheated, the affected loudspeaker will instantly reduce the sound level. Once the situation has stabilised, the sound level is slowly returned to normal.

If the indicator light is solid orange, turn down the volume or allow your loudspeakers to cool off.

If your loudspeakers detect a fault, an orange indicator light will flash until your loudspeakers are disconnected from the mains supply.

Should the problem persist, contact your Bang & Olufsen retailer.



Cleaning the loudspeakers

Clean the loudspeaker surfaces using a dry, soft cloth. If necessary, remove stains or dirt with a soft, damp cloth and a solution of water and mild detergent such as washing-up liquid.

The speaker cloth may be cleaned with a vacuum cleaner with a brush nozzle, and set to the lowest suction level.

Never use alcohol or other solvents to clean any part of the loudspeakers!

NOTE! Prolonged listening at high volume levels may cause hearing damages.

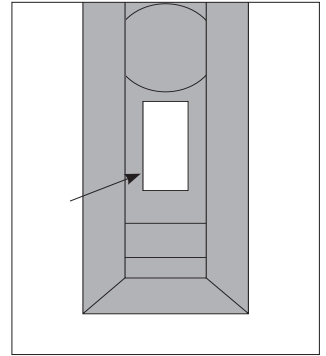
Set up the loudspeakers

We recommend that you follow this procedure:

- Disconnect your system from the mains supply.
- Place the loudspeakers according to the guidelines in 'Connections and settings', see page 6. For information on how to fasten the loudspeakers to the optional accessory, refer to the guide enclosed with the accessory.
- Set the switches to the correct settings. This is explained in 'Connections and settings', see pages 5–6.
- Connect your speaker system.
- Connect the entire system to the mains supply again.

Cautions

- Make sure that the loudspeakers are placed and connected in accordance with the instructions in this Guide. To prevent injury, use Bang & Olufsen approved wall brackets only!
- The loudspeakers can only be switched off completely by disconnecting them from the mains supply.
- Do not expose this equipment to dripping or splashing and ensure that no objects filled with liquids, such as vases, are placed on the equipment.
- No naked flame sources, such as lighted candles should be placed on the apparatus.
- The loudspeakers are intended for indoor use in dry, domestic environments only, and for use within a temperature range of 10–40° C (50–105° F).
- Remember that all loudspeakers in a setup must be connected to a mains outlet, and that they are designed to be connected to the mains at all times, as this allows them to switch on automatically.
- Do not attempt to open the loudspeaker. Leave such operations to qualified service personnel!
- The supplied mains cord and plug are specially designed for the product. If you change the plug or damage the mains cord, you must buy another from your Bang & Olufsen retailer!

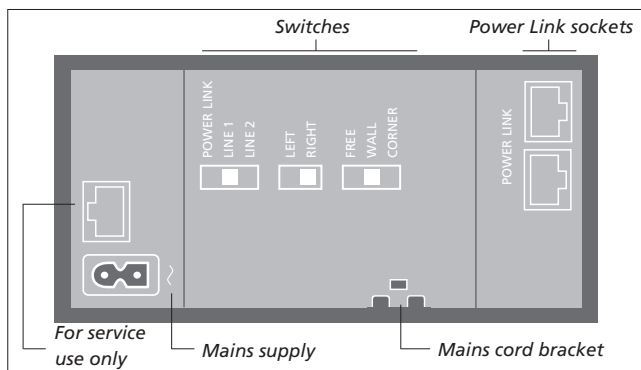


The product identification label is placed on the rear part of the loudspeaker.

The loudspeakers can be used with Bang & Olufsen audio, video and link systems. They may also be used with non-Bang & Olufsen systems.

The loudspeakers are designed for wall placement. The most natural sound is obtained if they are set up as explained on these pages.

You can access to the socket panel from the rear part of the loudspeaker.



POWER LINK and LINE 1–2 switch

Connect to a Bang & Olufsen system:

You have two options for connecting your loudspeakers to your Bang & Olufsen system:

- 1) Run a Power Link cable from your Bang & Olufsen system directly to each loudspeaker. You can use either of the two sockets.
- 2) Run a Power Link cable from your Bang & Olufsen system to the first loudspeaker, and then run another Power Link cable to the next loudspeaker.

Choose the option that suits your setup best. Set the switch to POWER LINK.

Connect to a non-Bang & Olufsen system:

Use a special cable with an ordinary stereo mini jack plug in one end, and an RJ45 PL plug in the other (optional accessory*1).



For safety reasons you must fasten the mains cord behind the mains cord bracket.

Set the switch to LINE 1 or LINE 2:

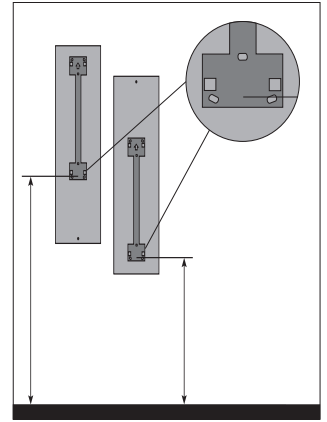
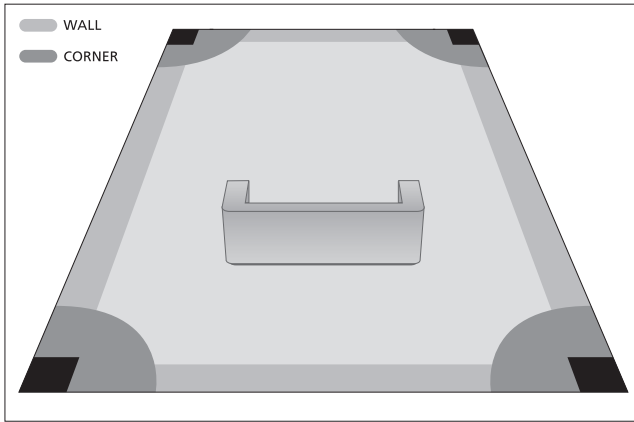
- Use LINE 1 as default setting.
- Use LINE 2 if your loudspeaker does not switch off or if the volume is too loud. The sound volume will be reduced. Loudspeakers must use the same line setting.

LEFT/RIGHT switch

This switch sets the loudspeaker to play either the left or the right sound channel on a Bang & Olufsen system.

Set the switch to LEFT or RIGHT, respectively, when connecting the loudspeaker using any of the sockets marked POWER LINK.

**Accessories are available from your Bang & Olufsen retailer.*



The position switch

The position switch has three settings and is located on the socket panel. The purpose of the switch is to ensure that the bass level suits the placement of the loudspeaker. The appropriate switch setting depends on the distance from the loudspeaker to the walls and corners of the room.

The distances are meant as guidelines, and you may, of course, set the position switch to any of the settings you prefer.

• WALL

Use this setting if the loudspeaker is placed more than 65 cm (25") from a corner. Shown by the grey areas along the walls in the illustration.

• CORNER

Use this setting if the loudspeaker is placed in a corner. Shown by the dark grey areas in the illustration.

However, we do not recommend that you place the loudspeaker closer to the corner than 20 cm (8"). Shown by the black areas in the illustration.

• FREE

Not for use.

Placement: If the loudspeakers are mounted higher than 78 cm (31") above the floor, they must be mounted with the indicator downwards to ensure the best possible sound performance. In this case, we recommend that you place the wall bracket between 59–165 cm (23"–65") above the floor.

If the loudspeakers are mounted on the wall with the indicator upwards, we recommend that you place the wall bracket between 19–114 cm (7.5"–45") above the floor.

The distance is measured from the floor to the lower holes of the wall bracket.

Waste Electrical and Electronic Equipment (WEEE) –

Environmental protection



Electrical and electronic equipment, parts and batteries marked with this symbol must not be disposed of with normal household waste; all electrical and electronic equipment, parts and batteries must be collected and disposed of separately. When disposing of

electrical and electronic equipment and batteries by use of the collection systems available in your country, you protect the environment, human health and contribute to the prudent and rational use of natural resources. Collecting electrical and electronic equipment, batteries and waste prevents the potential contamination of nature with the hazardous substances which may be present in electrical and electronic products and equipment.

Your Bang & Olufsen retailer will advise you of the correct way of disposal in your country.



Hereby Bang & Olufsen declares compliance with the essential requirements and other relevant provisions of ErP Directive 2009/125/EC, EMC Directive 2004/108/EC and LVD Directive 2006/95/EC.

All Bang & Olufsen products comply with applicable environmental legislation throughout the world.

Cet appareil numérique de la classe B est conforme à la norme NMB-003 du Canada.



3511153120600000

